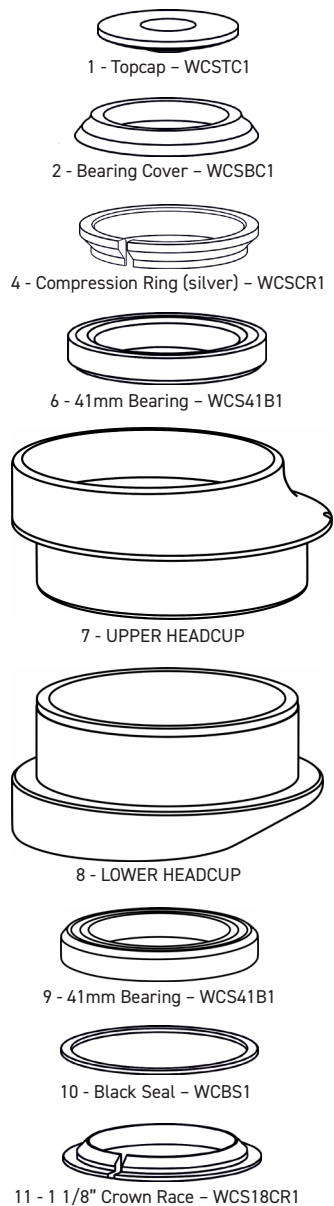


1.1 INSTALLATION ORDER



INSTALLATION GUIDE

Thank you for purchasing a product from Works Components - Firstly, we recommended that you take the installation of this product to your local bike shop if you are not a confident home mechanic.

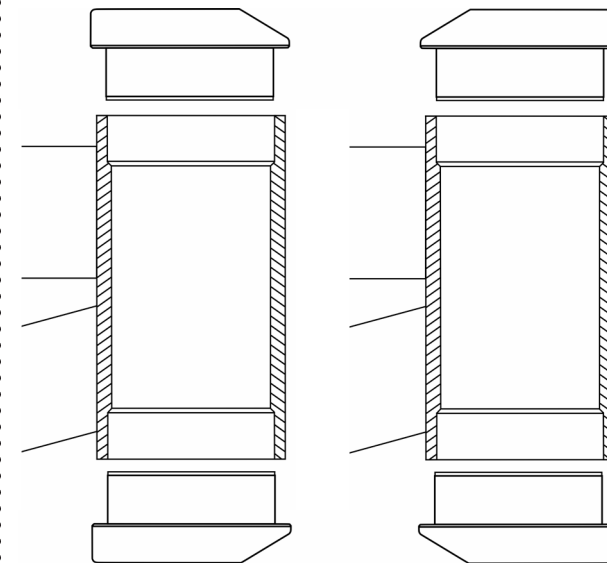
- 1 - Remove current headset and crown race if applicable.
- 2 - Inspect headtube for damage & measure to confirm correct size.
- 3 - Find and mark the centre-point of the headtube by measuring, using a straight edge or string tied to seat post and pulled taught down length of bike.
- 4 - Apply small coat of suitable grease (Ensure carbon friendly if required)
- 5 - Headcups must be installed with correct orientation, see figure 1.2. For decreased reach - offset must face towards back of bike. For increased reach - offset must face towards front of bike.
- 7 - Ensure cups are pushed fully home into headtube with no visible gaps.
- 8 - Apply grease to face of bearings, compression ring & crown race, install crown race to steerer tube and insert fork and install remaining components as shown in figure 1.1
- 9 - Pre-load headset to remove bearing play - tighten stem to manufacturer specification, handlebar should turn freely with no restriction.

(Black Seal WCBS1 - Tightly fitted into cup, may remain inside once the parts are removed (on top of bearing))

1.2 HEADCUP ORIENTATION

DECREASE REACH

INCREASE REACH



1.3 HEADCUPS FROM ABOVE

UPPER

LOWER

