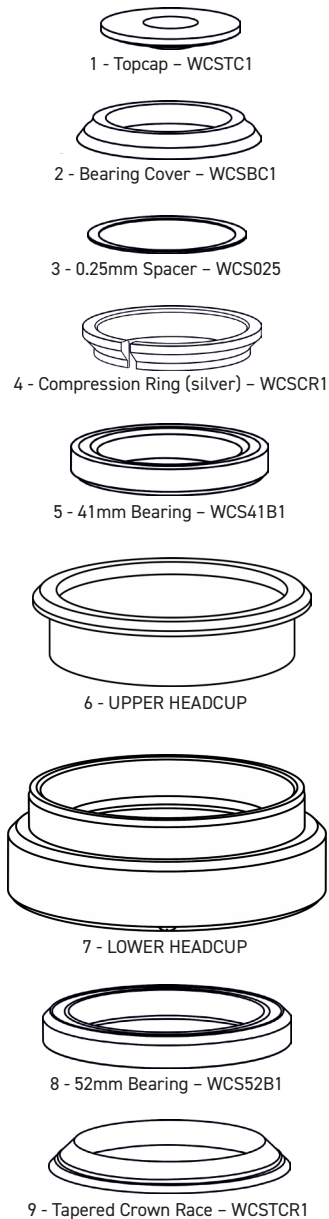


1.1 INSTALLATION ORDER

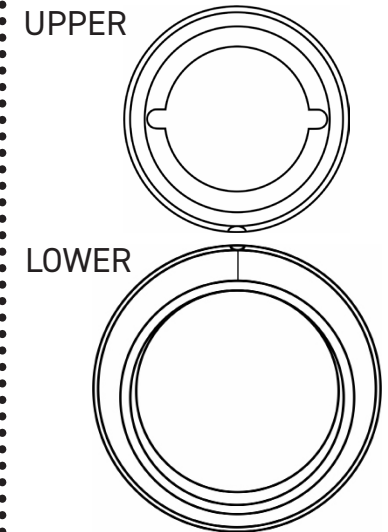


INSTALLATION GUIDE

Thank you for purchasing a product from Works Components - Firstly, we recommended that you take the installation of this product to your local bike shop if you are not a confident home mechanic.

- 1 - Remove current headset and crown race if applicable.
- 2 - Inspect headtube for damage & measure to confirm correct size & insertion depth.
- 3 - Find and mark the centre-point of the headtube by measuring, using a straight edge or string tied to seat post and pulled taught down length of bike.
- 4 - Apply small coat of suitable grease (Ensure carbon friendly if required)
- 5 - Headcups must be installed with correct orientation as can be seen in figure 1.3
- 6 - Upper Cup - bearing is not offset, identify machined 'notch' and install as shown in figure 1.2 with notch facing rear of bike to slacken head angle, towards the front of the bike to steepen angle.
- 7 - Lower Cup - bearing is offset from centre, install with offset towards front of bike to slacken angle, offset towards rear of bike to steepen angle.
- 8 - Ensure cups are pushed fully home into headtube with no visible gaps.
- 9 - Apply grease to face of bearings, compression ring & crown race, install crown race to steerer tube and insert fork and install remaining components as shown in figure 1.1
- 10 - Pre-load headset to remove bearing play - tighten stem to manufacturer specification, handlebar should turn freely with no restriction.

1.3 HEADCUPS FROM ABOVE



1.2 HEADCUP ORIENTATION

